



SOLAR POWER SYSTEM WITH AC OUTPUT

1000W/1500W

This is a brand new integrated solar power system, which adopts full digital voltage and current double closed-loop control, advanced SPWM technology, and outputs pure sine wave. Built-in charge controller. It supports utility/generator/solar charging, and there is also a handy handle to ensure the inconvenience of traveling or going out.

Multiple charging modes

The off-grid hybrid power inverter will have four battery charging modes to choose from, namely solar-only charging, utility-priority charging, solar-priority charging, and utility-solar hybrid charging; the load output has three operating modes, namely photovoltaic priority, utility priority and Inverter mode to meet different application requirements.

LCD screen design

Display system data and operating status, and intelligent variable-speed fans efficiently dissipate heat to extend system life. Access to a variety of home and office loads including refrigerators, lamps, TVs, fans, air conditioners and other AC loads.





PRODUCT DETAILS



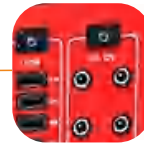
Portable

The handle is made of material that is not easy to fall off, and it is suitable for use in any position.



LCD&LED Display

Easy operation, details data display in real-time.



Metal Material

Metal shell design, strong and stable, waterproof and rust-proof, to ensure a longer effective working time of the inverter machine.



Fashion air hole design

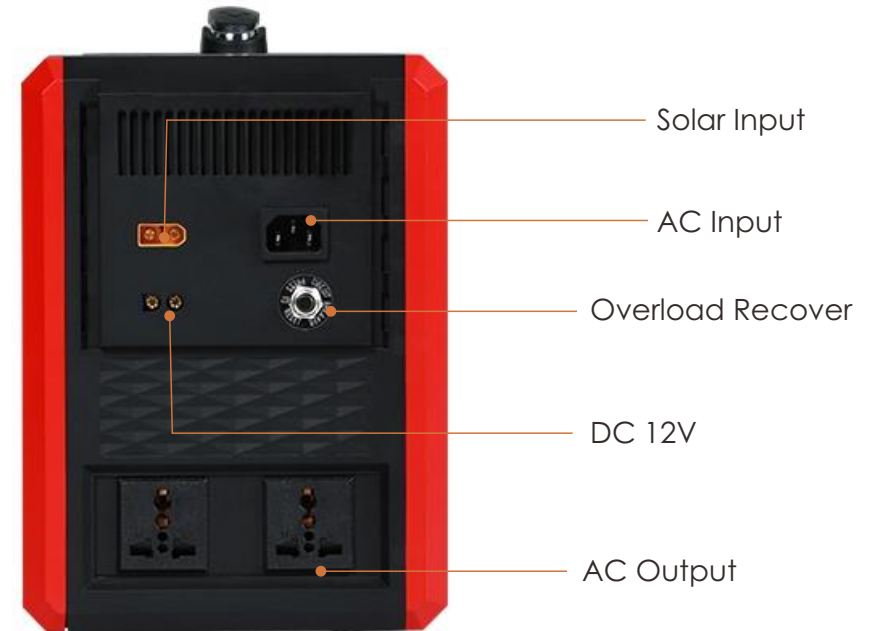
Big enough for air to go in, but small enough to protect inverter from dust.



OUTPUT FUNCTION DETAILS

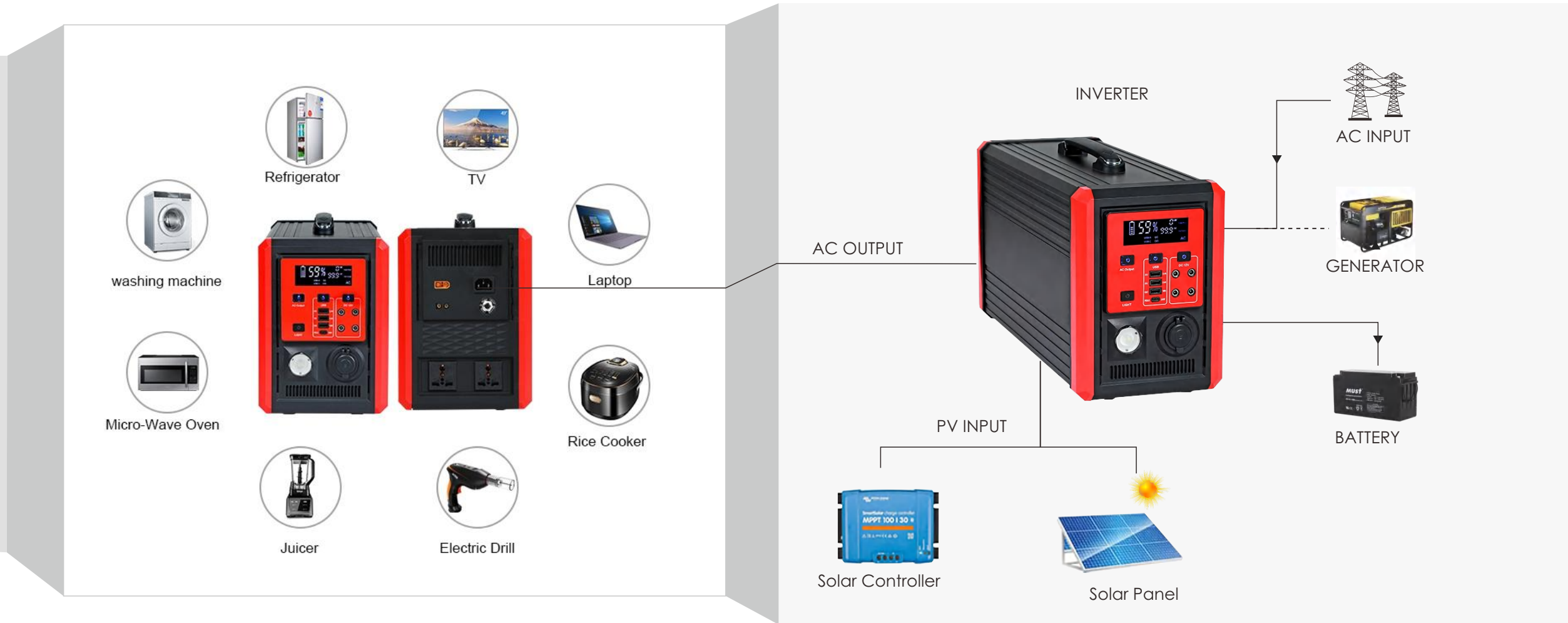


FUNCTION INTRODUCTION ON THE BACK





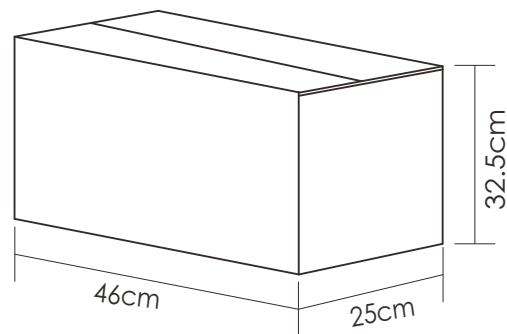
CONNECTION DIAGRAM





PRODUCT SPECIFICATION

Model	DQ1412A1000-01
Inverter Power	1000W
Battery Type	LiFePO4 12.8V 84AH
Solar Panel	18V 180W, Polycrystalline (solar panel is an optional which not included in the price)
Adapter Input Voltage	220-240VAC
DC Output	DC12V 10A
AC Output	220V*2PCS
USB Output	15W*3PCS
PD3.0 Output	24W*1PCS
Material	Metal
Product Size	400*190*285mm (System Host)
Warranty	3 years



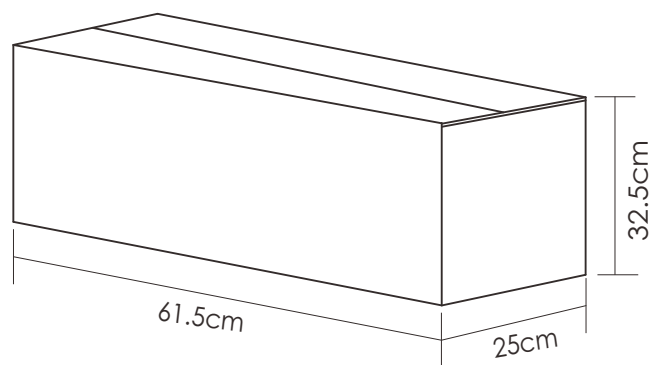
PACKAGING SPECIFICATION

P/N	Power	Packing Size(CM)			PCS/CTN	CBM/CTN
		L	W	H		
DQ1412A1000-01	1000W	46.00	25.00	32.50	1	0.0374



PRODUCT SPECIFICATION

Model	DQ1412B1500-01
Inverter Power	1500W
Battery Type	LiFePO4 25.6V 72AH
Solar Panel	36V 325W, Polycrystalline (solar panel is an optional which not included in the price)
Adapter Input Voltage	220-240VAC
DC Output	DC12V 5A
AC Output	220V*2PCS
USB Output	15W*3PCS
PD3.0 Output	24W*1PCS
Material	Metal
Product Size	555*190*285mm (System Host)
Warranty	3 years



PACKAGING SPECIFICATION

P/N	Power	Packing Size(CM)			PCS/CTN	CBM/CTN
		L	W	H		
DQ1412B1500-01	1500W	61.50	25.00	32.50	1	0.0500

APPLICATION

