



# Battery Pack

Product Specification

25.6V 100Ah



**Safety Management System:**

The integrated battery management system(BMS) protects your battery from overcharge and discharge, overcurrent, short circuit and low and high temperature for better performance and longer life.

**High Quality Materials:**

Made from 100% safe, non-toxic, non-hazardous energy, the lithium iron phosphate battery has higher chemical stability, is not prone to thermal runaway, and will not overheat or catch fire even if punctured. With no acid in the battery, you can safely mount in any position.

**Compact Size & Light Weight & Long Lifespan**

- ① Ten-year life
- ② 100% usable capacity
- ③ Low self discharge lit
- ④ Environmentally friendly
- ⑤ Light weight
- ⑥ Built-in BMS
- ⑦ Fast charging
- ⑧ non-ignition

## BATTERY PACK

25.6V 100Ah



### BATTERY SYSTEM TECHNICAL

PARAMETER The key parameters of the battery system are as follows:

Model	LF24100-01
Battery Type	LiFePO4
Nominal Voltage	25.6V
Nominal Capacity	100Ah
Nominal Energy	2.56Wh
Charging Cut-off Voltage	29.2V
Discharging Cut-off Voltage	22.4V
Max. Cont. Charging Current	100A
Max. Cont. Discharging Current	100A
Working Temperature	0°C~ 55°C (Charge)
Working Temperature	-20°C~ 60°C (Discharge)
Cycle Life	>6000
Product Size	502x186x243mm
Weight	20kg

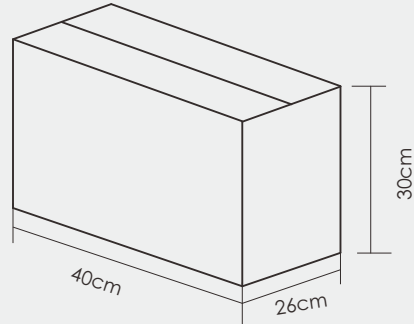


Class A cells

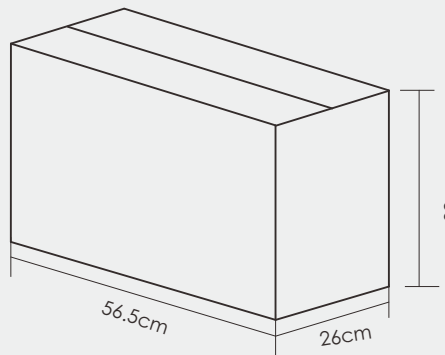
5 year warranty



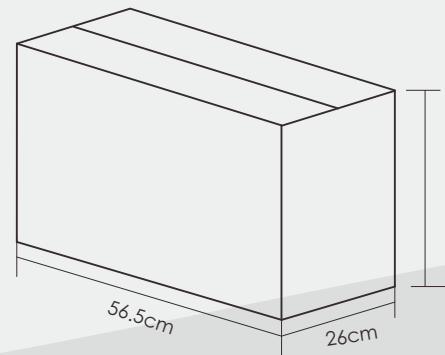
PACKAGING SPECIFICATION



LF12100-01



LF12200-01



LF24100-01

P/N	Power	Packing Size(CM)			PCS/CTN	CBM/CTN	G.W/CTN(KGS)
		L	W	H			
LF12100-01	12.8V 100AH	40.00	26.00	30.00	1	0.0312	12.00
LF12200-01	12.8V 200AH	56.50	26.00	32.00	1	0.0470	21.00
LF24100-01	25.6V 100AH	56.50	26.00	32.00	1	0.0470	21.00





## TRANSPORTATION AND STORAGE

### 1. Transportation

During transportation, it should be protected from severe vibration, impact, sunlight, and rain, and must not be turned upside down to ensure that no short circuit occurs. During the loading and unloading process, it should be handled with care and strict precautions should be taken to prevent throwing, rolling, heavy pressure and inversion.

### 2. Storage

Product storage requirements are as follows:

- Battery systems should be stored at 60% state of charge;
- Battery system products should be stored in a dry and ventilated environment with a temperature not higher than 50°C and a relative humidity less than 80%, and away from flammable and easily accessible products. Explosive items, avoid places with a lot of dust and metal powder, and avoid contact with acid or other corrosive gases;
- Battery system product storage locations should be rain-proof, moisture-proof, and sun-proof.





## PRECAUTIONS

- ▶ This product must comply with operating specifications, and any installation, maintenance and use of this product must strictly comply with relevant safety regulations.
- ▶ It is prohibited to store or use at high temperatures and must be kept away from heat sources. These environments that are higher than the safe temperature range will cause a significant decrease in the performance and life of the product, and even cause serious consequences such as burning and explosion;
- ▶ It is prohibited to store and use it in an environment with high static electricity or high electromagnetic radiation. Otherwise, the electronic components in this product will be damaged, which may cause safety hazards;
- ▶ Do not get wet or even immerse in water. Otherwise, it may cause internal short circuit, functional loss or abnormal chemical reaction of this product, and cause smoke, fire, explosion and other accidents;
- ▶ If you find smoke, heat, discoloration or deformation, or any abnormalities during use, storage, transportation and service, you should contact the professional department immediately for further observation and risk control;
- ▶ Do not throw discarded products in fire or hot oven. Waste batteries should be recovered and recycled by professional institutions or organizations;
- ▶ The installation and maintenance of the battery system must be performed by professional technicians, and the use must strictly comply with relevant safety regulations. It is strictly prohibited for non-professionals to install, repair and abuse the battery system beyond its scope.





**SCOPE OF APPLICATION**



**USAGE METHOD**

- (1) Please check the appearance of the battery before use
- (2) The installation of the battery must be carried out by professionals.
- (3) The battery should not be used in a closed or high temperature environment (the recommended cycle temperature is 5 to 35 ° C.
- (4) When installing and transporting the battery, force should be evenly applied to the shell of the battery to avoid damage to the pole column.
- (5) When the battery is used in parallel, please press the battery identifier "+", and the polarity of "one" is arranged successively, and the distance between the batteries cannot be less than 15MM.
- (6) During the battery connection process, please wear protective gloves. When using metal tools such as torque wrenches, please insulate the metal tools and absolutely avoid touching the positive and negative terminals of the battery at the same time.
- (7) If the batteries need to be connected in parallel, generally do not exceed three groups (only).