

# PORTABLE SOLAR POWER SYSTEM



**GODE**

500W/1000W/1500W

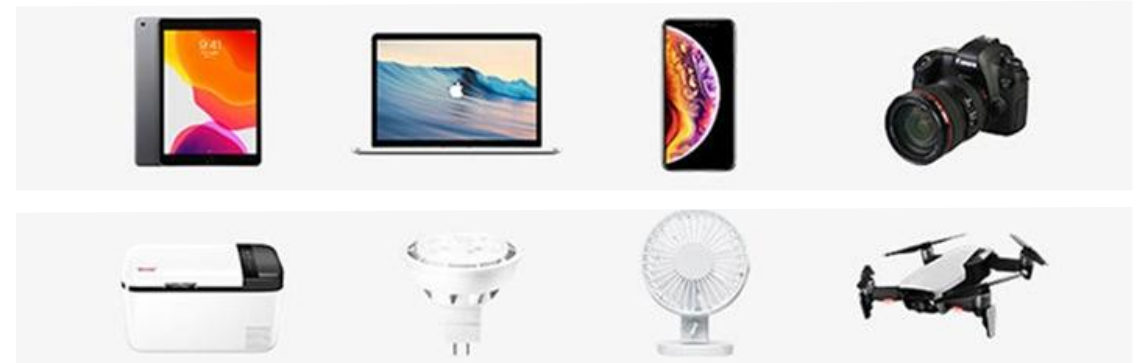
<https://chinagode.com/>

## PRODUCT OVERVIEW

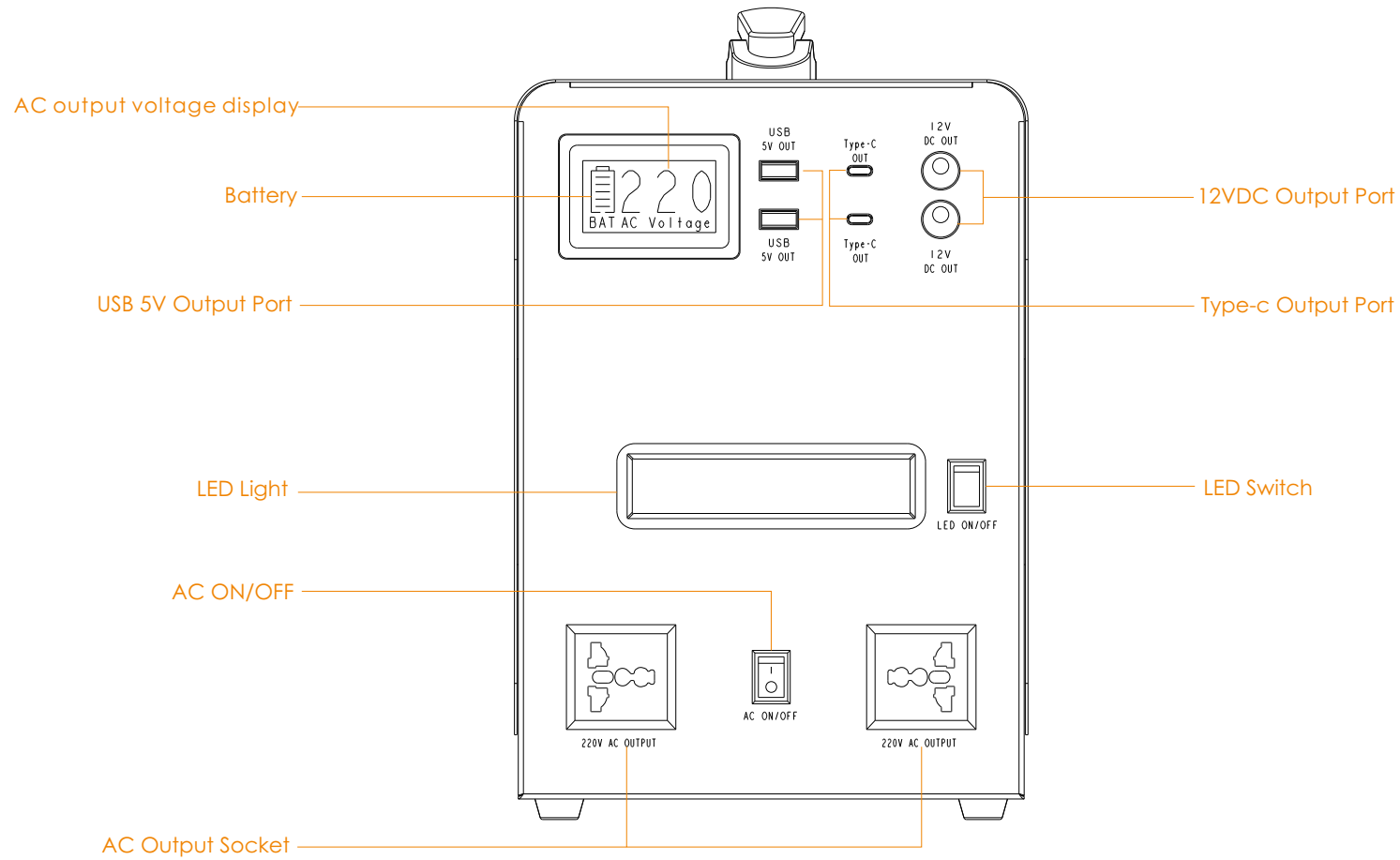
This product is a portable multi-function energy storage power bank featuring a built-in high-efficiency power LiFePO4 battery, a secure battery management system (BMS), and an efficient MPPT controller and inverter. Encased in a robust metal shell, it offers mains charging capabilities, along with the advantages of being lightweight, compact, and high-powered. These features combine to provide customers with a convenient source of mobile energy.



Charge multiple devices at the same time:  
2\*USB output (5V/4A), 2\*220V AC socket, 2\*DC port output (12V),  
Type-C: 30W\*2PCS, support charging multiple devices at the same  
time. Power your phone, laptop, tablet, lamp, fan, projector, car  
refrigerator, CPAP machine, drone, switch, camera, etc.



### PRODUCT PANEL FUNCTION INTRODUCTION



### MULTIFUNCTION IN ONE SYSTEM



## PRODUCT DESCRIPTION



### Multiple Charging Ports

The solar system is equipped with multiple charging ports: AC, USB, and car charger ports, providing AC and DC output in two different voltage modes, which can supply power to multiple devices at the same time to meet your various needs; and includes wireless fast chargers, For cell phones, iPads and wireless ear buds.



### Large Capacity Is More Durable

Upgraded high-capacity, 365 days of range with recharge and discharge protection.



### LED Light

This solar power system has a unique flashlight design that can also be used as a flashlight during power outages and emergencies.



### LED display screen

The LCD screen of power station is very clearly to watch even if in bright environment. The battery capacity is displayed by number, so it is possible to predict the operating time. Battery management system (BMS) can voltage and current control, temperature control and more advanced safety operations, ensure ultra-safety for you and your devices.



## BATTERY SPECIFICATION



DesignLife	6-8 years		
Nominal Voltage	12.8V	25.6V	25.6V
Nominal Capacity	48AH	48AH	60AH
Self-Discharge			
3% of capacity declined per month at 20°C(average)			
Operation Temperature Range			
Discharge	-20~60°C		
Charge	-10~60°C		
Storage	-20~60°C		
Max.Discharge Current 77°F(25°C)	100A(5s)		
Short Circuit Current	50A		

## BATTERY GUARANTEE OF QUALITY

1

### Battery Cells

High-end battery cells keep every cell's voltage, resistance, capacity, discharging always in sync.

2

### Battery Protector

High precision IC keep performance more stable protect over load, over charge, over discharge, short circuit, over voltage, over current keep battery pack always safe and long life span.

3

### Precision Welding Machine

Fully automatic precision welding machine can ensure that every battery can be welded firmly to prevent the danger of short circuit or power failure.

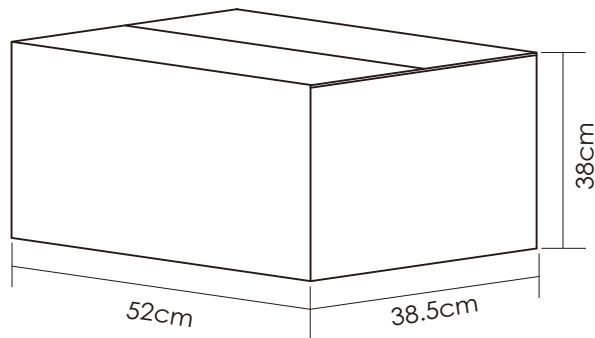
4

### Aging Test Machine

every battery pack need to thorough charging and discharging test by the aging test machine to keep 100% qualified.

## PRODUCT SPECIFICATION

Model	DQ1208A500-90
Inverter Power	500W
Solar Panel	41.95V 550W*1, Polycrystalline (Solar panel is an optional which not included in the price)
Battery Type	12.8V 48AH, LiFePO4 32700
Charging Time	2-3 hours
DC Output	12V 5A, 2PCS
AC Output	220V 50Hz
USB Output	5V 4A, 2PCS
Type-C	30W*2PCS
Luminous Efficacy	160 lm/w
LED Lifespan	50000 hours
Material	Metal
Product Size	320*194*268 (System Host)
Warranty	3 Years

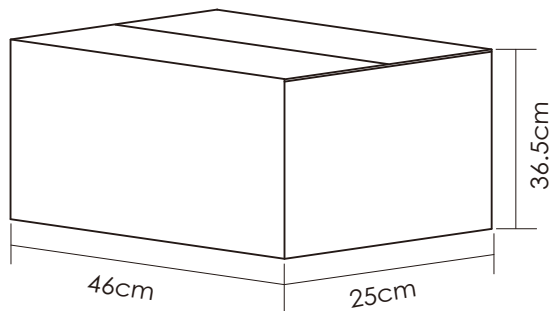


## PACKAGING SPECIFICATION

P/N	Power	Packing Size(CM)			PCS/CTN	CBM/CTN	G.W/CTN(KGS)
		L	W	H			
DQ1208A500-90	500W	52.00	38.50	38.00	2	0.0761	25.82

## PRODUCT SPECIFICATION

Model	DQ1208B1000-90
Inverter Power	1000W
Solar Panel	41.95V 550W*2, Polycrystalline (Solar panel is an optional which not included in the price)
Battery Type	25.6V 48AH, LiFePO4 32700
Charging Time	2-3 hours
DC Output	12V 5A, 2PCS
AC Output	220V 50Hz
USB Output	5V 4A, 2PCS
Type-C	30W*2PCS
Luminous Efficacy	160 lm/w
LED Lifespan	50000 hours
Material	Metal
Product Size	415*200*280 (System Host)
Warranty	3 Years

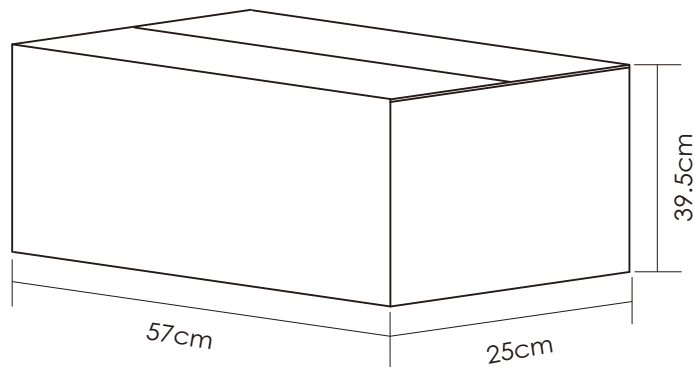


## PACKAGING SPECIFICATION

P/N	Power	Packing Size(CM)			PCS/CTN	CBM/CTN	G.W/CTN(KGS)
		L	W	H			
DQ1208B1000-90	1000W	46.00	25.00	36.50	1	0.0420	19.80

## PRODUCT SPECIFICATION

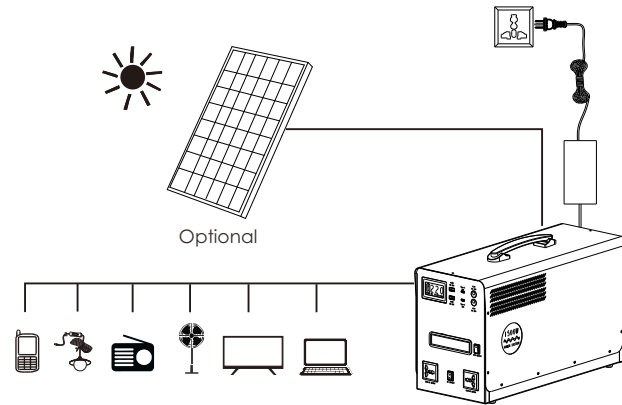
Model	DQ1208C1500-90
Inverter Power	1500W
Solar Panel	41.95V 550W*2, Polycrystalline (Solar panel is an optional which not included in the price)
Battery Type	25.6V 60AH, LiFePO4 32700
Charging Time	2-3 hours
DC Output	12V 5A, 2PCS
AC Output	220V 50Hz
USB Output	5V 4A, 2PCS
Type-C	30W*2PCS
Luminous Efficacy	160 lm/w
LED Lifespan	50000 hours
Material	Metal
Product Size	525*200*315 (System Host)
Warranty	3 Years



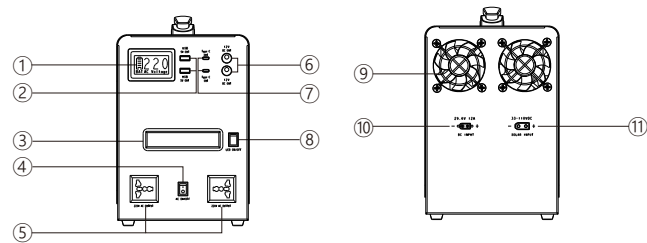
## PACKAGING SPECIFICATION

P/N	Power	Packing Size (CM)			PCS/CTN	CBM/CTN	G.W/CTN (KGS)
		L	W	H			
DQ1208B1500-90	1500W	57.00	25.00	39.50	1	0.0563	25.13

### CONNECTION DIAGRAM



### Product panel function introduction

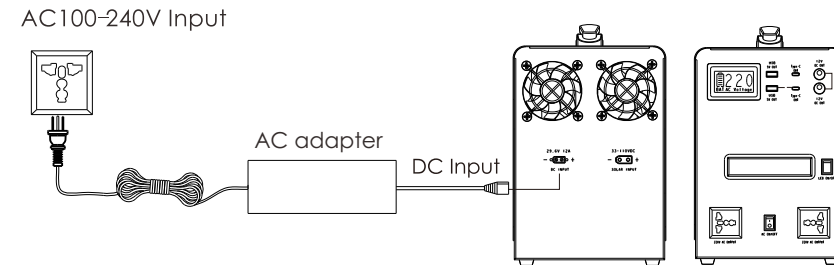


Function Description			
①	Battery/Voltage Displayer	⑦	Type-c Output Port
②	USB 5V Output Port	⑧	LED Switch
③	LED Light	⑨	Cooling Fan
④	AC ON/OFF	⑩	DC Charging Port
⑤	AC Output Socket	⑪	Solar Charging Port
⑥	12VDC Output Port		

### INTRODUCTION TO CHARGING

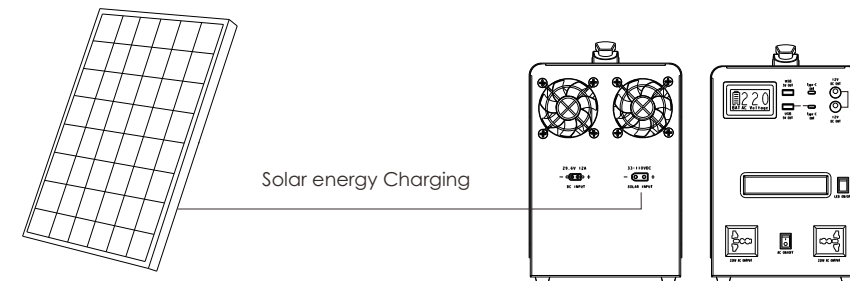
#### a. Mains charging

STEP1: Put the AC input plug of the adapter into the mains .  
 STEP2: Put the DC output terminal of the adapter into the "DC input" port on the host.



#### b. Solar Charging(Optional)

Insert the solar panel terminals into the "☀️" Port charging.



SCENE APPLICATION

